



Lexmark XM5163

The Lexmark XM5163 delivers productivity solutions and 2-sided printing, plus faster print, copy and scan speeds, proving you can't get too much of a good thing.

Part Number

24T8400

Print Technology

Monochrome Laser

Function

Color Scanning, Copying, Faxing, Network Scanning, Printing

Workgroup Size

Large Workgroup

Touch Screen Display

Yes

Display

Lexmark e-Task 7-inch (17.8 cm) color touch screen

Print Speed (Letter, Black)

Up to 63 ppm⁶

Print Speed (Letter, Black) Duplex

Up to 38 spm⁶

Time to First Page (Black)

As fast as 4.4 seconds

Duplex (2-sided) Printing

Integrated Duplex

Print Resolution, Black

1200 Image Quality, 1200 x 1200 dpi, 2400 Image Quality, 600 x 600 dpi

Copy Speed (Letter, Black)

Up to 63 cpm⁶

Copy Speed (Letter, Black) Duplex

Up to 38 spm⁶

Time to First Copy (Black)

As fast as 4.2 seconds

Reduce / Enlarge Range

25 - 400 %

A4/Ltr Simplex Scan Speed (Black)

Up to 66 / 70 sides per minute

A4/Ltr Simplex Scan Speed (Color)

Up to 66 / 70 sides per minute

A4/Ltr Duplex Scan Speed (Black)

Up to 132 / 140 sides per minute

A4/Ltr Duplex Scan Speed (Color)

Up to 132 / 140 sides per minute

Scan Area, Maximum

8.5 x 14.0 inches

ADF Scan

DADF (single pass Duplex)

Scanner Type

Flatbed scanner with ADF

Scan Technology

CCD

Optical Scanning Resolution

600 X 600 ppi (black), up to 600 X 600 ppi (color)

Scan File Formats (Send as)

JPEG, JPG, PDF, Secure PDF, TIFF, XPS, Archival PDF (A-1a, A-1b), Searchable PDF (optional OCR with 1GB RAM and hard disk required), Highly compressed PDF (1GB RAM and hard disk required)

Scan Destinations

e-mail, FTP, USB Flash drive, USB or Network connected computer, Lexmark Document Solutions Suite (LDSS)

Modem Speed

ITU T.30, V.34 Half-Duplex, 33.6 Kbps

Fax Transmission Speed

< 3 seconds per page

Processor

Dual Core, 800 MHz

Memory, Standard

512 MB

Memory, Maximum

2560 MB

Hard Disk

Option available

Apple Operating Systems Supported

Apple OS X (10.5, 10.6, 10.7, 10.8, 10.9, 10.10)

Citrix MetaFrame

Microsoft Windows Server 2003 running Terminal Services with Citrix Presentation Server 3.0, 4.0, 4.5, Microsoft Windows Server 2003 x64 running Terminal Services with Citrix Presentation Server 4.0 x64, 4.5 x64, Microsoft Windows Server 2003 and 2003 X64 Edition with Citrix XenApp 5.0, Microsoft Windows Server 2008 and 2008 X64 Edition with Citrix XenApp 5.0, Microsoft Windows Server 2008 R2 with Citrix XenApp 6.0, 6.5

Linux Operating Systems Supported

SUSE Linux Enterprise Server 10, 11, SUSE Linux Enterprise Desktop 10, 11, Red Flag Linux Desktop 6.0, Linpus Linux Desktop 9.6, Debian GNU/Linux 5.0, 6.0, Red Hat Enterprise Linux WS 4.0, 5.0, 6.0, Ubuntu 11.04, 11.10, 12.04, 12.10, openSUSE 11.3, 11.4, 12.1, 12.2, PCLinuxOS 2011, Mint 9, 10, 11, 12, 13, Fedora 14, 15, 16, 17

Microsoft Windows Operating Systems Supported

Windows XP, Windows Server 2003, Windows XP x64, Windows Server 2003 x64, Windows Vista, Windows Vista x64, Windows Server 2008, Windows Server 2008 x64, Windows 7, Windows 7 x64, Windows Server 2008 R2, Windows 8, Windows 8 x64, Windows Server 2012, Windows 8.1, Windows 8.1 x64, Windows Server 2012 R2, Windows RT, Windows RT 8.1

Novell Operating Systems Supported

Novell NetWare 6.5 Open Enterprise Server, Novell NetWare 5.1(SP 6+), 6.0(SP 3+) with Novell Distributed Print Services (NDPS), Novell Open Enterprise Server on SUSE Linux Enterprise Server

UNIX Operating Systems Supported

Sun Solaris SPARC 9, 10, HP-UX 11.11, 11.23, 11.31, Sun Solaris x86 10, 11, IBM AIX 5.3, 6.1, 7.1

Included Paper Handling

550-Sheet Input, 100-Sheet Multipurpose Feeder, 550-Sheet Output Bin, Integrated Duplex

Optional Paper Handling

250-Sheet Tray, 550-Sheet Tray, 2100-Sheet Tray, 250-Sheet Lockable Tray, 550-Sheet Lockable Tray

Paper Input Capacity, Standard

Up to 650 pages 20 lb or 75 gsm bond

Paper Input Capacity, Maximum

Up to 3300 pages 20 lb or 75 gsm bond

Paper Output Capacity, Standard

Up to 550 pages 20 lb or 75 gsm bond

Paper Output Capacity, Maximum

Up to 550 pages 20 lb or 75 gsm bond

Paper Weight Range Supported - Standard Tray (lb.)

16 - 47 lb.

Integrated Tray Card Stock Upper limit (grain short)

Cover - 176 gsm (65 lb), Index Bristol - 199 gsm (110 lb), Tag - 203 gsm (125 lb)

ADF

150-Sheet Automatic Document Feeder

ADF Paper Input Capacity

Up to 150 pages 20 lb or 75 gsm bond

ADF Paper Output Capacity

Up to 150 pages 20 lb or 75 gsm bond

Finishing Option

No

Number of Paper Inputs, Standard

2

Number of Paper Inputs, Maximum

5

Media Types Supported

Card Stock, Dual Web Labels, Envelopes, Integrated Labels, Paper Labels, Plain Paper, Transparencies, Refer to the Card Stock & Label Guide.

Media Sizes Supported

10 Envelope, 7 3/4 Envelope, 9 Envelope, A4, A5, B5 Envelope, C5 Envelope, DL Envelope, Executive, Folio, JIS-B5, Legal, Letter, Statement, Universal, Oficio, A6

Standard Ports

One Internal Card Slot, USB 2.0 Specification Hi-Speed Certified (Type B), Gigabit Ethernet (10/100/1000), Front USB 2.0 Specification Hi-Speed Certified port (Type A), Two Rear USB 2.0 Specification Hi-Speed Certified ports (Type A)

Optional Local Ports

Internal RS-232C serial, Internal 1284-B Bidirectional Parallel

Optional Network Ports

Internal MarkNet N8350 802.11b/g/n Wireless

Direct USB

Yes

Ethernet Network

Yes

Network Protocol Support

TCP/IP IPv4, AppleTalk™, TCP/IP IPv6, TCP, UDP

Network Printing Methods

LPR/LPD, Direct IP (Port 9100), Enhanced IP (Port 9400), Secure IP (Port 96xx), FTP, TFTP, ThinPrint .print integration, IPP 1.0, 1.1, 2.0 (Internet Printing Protocol), Microsoft Web Services WSD, Pull Printing

Network Management Protocols¹

HTTP, HTTPS (SSL/TLS), SNMPv1, SNMPv2c, SNMPv3, WINS, IGMP, BOOTP, RARP, APIPA (AutoIP), DHCP, ICMP, DNS, Bonjour, DDNS, mDNS, ARP, NTP, Telnet, Finger,

Network Security

SNMPv3, 802.1x Authentication: MD5, MSCHAPv2, LEAP, PEAP, TLS, TTLS, IPSec

Printable Area

0.167 inches of the top, bottom, right and left edges (within)

Printer Languages (Standard)

PCL 5e Emulation, PCL 6 Emulation, Personal Printer Data Stream (PPDS), PostScript 3 Emulation, Direct Image, Microsoft XPS (XML Paper Specification), AirPrint™, PDF 1.7 emulation

Fonts and Symbol Sets

3 of 9 scalable PCL 5e fonts in Narrow, Regular and Wide, 158 scalable PostScript fonts, 2 PCL bitmap fonts, 39 scalable PPDS fonts, 5 PPDS bitmap fonts, 84 scalable PCL fonts, OCR-A, OCR-B scalable PCL 5e fonts, For more information, refer to the Technical Reference.

Laser Cartridge Yields (up to)⁵

35,000-page Extra High Yield Cartridge,

Imaging Unit Estimated Yield

Up to 100000 pages, based on 3 average letter/A4-size pages per print job and ~ 5% coverage⁴

Cartridge(s) Shipping with Product

10,000-page Starter Return Program Toner Cartridge

Packaged Size (in. - H x W x D)

40.04 x 28.94 x 27.56 in.

Packaged Weight (lb.)

126 lb.

Size (in. - H x W x D)

28.6 x 21.6 x 22.8 in.

Weight (lb.)

95.4 lb.

Noise Level, Idle

33 dBA

Noise Level (Print), Operating

57 dBA

Duplex Print Noise Level, Operating

57 dBA

Noise Level (Copy), Operating

58 dBA

Noise Level (Scan), Operating

57 dBA

ENERGY STAR

Yes

Average Power (Hibernate Mode)

0.7 watts

Average Power (Sleep Mode)

2.9 watts

Average Power (Ready Mode)

70 watts

Average Power (Printing)

825 watts

Average Power (Copying)

860 watts

Average Power (Scanning)

130 watts

ENERGY STAR Typical Electricity Consumption (TEC)

5.0 kilowatt-hours per week

Limited Warranty - See Statement of Limited Warranty

1-Year Parts Only

Product Certifications

ENERGY STAR, Blue Angel RAL-UZ-171, ICES-003 Class A, BSMI Class A, VCCI Class A, US FDA/CDRH, UL 60950-1, FCC Class A, cUL CAN/CSA-C22.2 60950-1, NOM, MET-I, IEC 60825-1, CB EN/IEC 60950-1, CB EN/IEC 60825-1, CCD-035, CE DoC (EN 62301 Class A, EN 62311, CE EN/IEC 60950-1, CE EN/IEC 60825-1, EN 61000-3, EN 55022 Class A, EuP, EN 55024, UL), EFTA (CE), CISPR 22 Class A, KCC, CCC, CECP, CEL, A-tick DoC, C-tick CoC, UL-AR, KC mark, UL GS mark, ISO 532B, ECMA-370, TED, GOST-R, SII, TER, Bel GISS

Maximum Monthly Duty Cycle

Up to 300000 pages per month³

Recommended Monthly Page Volume

5000 - 75000 pages²

Specified Operating Environment

Temperature: 16 to 32°C (60 to 90°F), Humidity: 8 to 80% Relative Humidity, Altitude: 0 - 2896 Meters (9,500 Feet)

License/Agreement Terms

Printers are sold subject to certain license/agreement conditions. See www.lexmark.com/printerlicense for details.

Country of Origin

China (PRC)

UNSPSC Code

43212110

Harmonized Tariff Code

8443.31.0000

¹This product includes software developed by the OpenSSL Project for use in the OpenSSL Toolkit. (<http://www.openssl.org/>)

²"Recommended Monthly Page Volume" is a range of pages that helps customers evaluate Lexmark's product offerings based on the average number of pages customers plan to print on the device each month. Lexmark recommends that the number of pages per month be within the stated range for optimum device performance, based on factors including: supplies replacement intervals, paper loading intervals, speed, and typical customer usage.

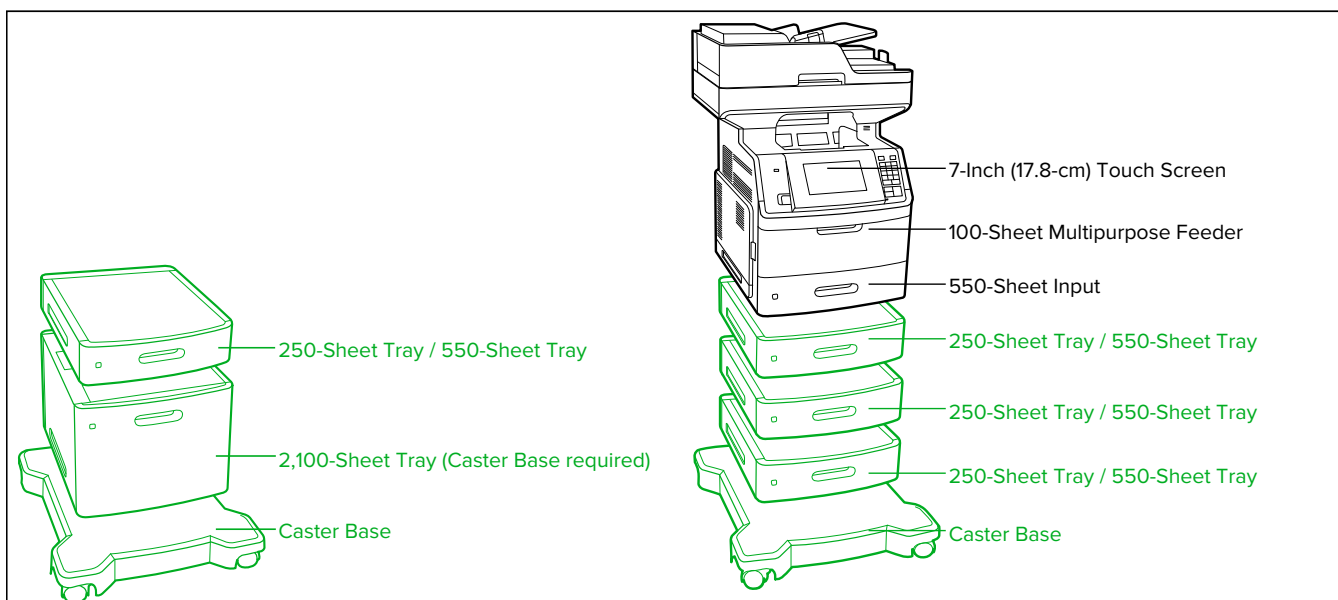
³"Maximum Monthly Duty Cycle" is defined as the maximum number of pages a device could deliver in a month using a

multishift operation. This metric provides a comparison of robustness in relation to other Lexmark printers and MFPs.

⁴Actual Yield may vary based on other factors such as device speed, paper size and feed orientation, toner coverage, tray source, percentage of black-only printing and average print job complexity.

⁵Average yield based on approximately 5% print coverage.

⁶Print and copy speeds measured in accordance with ISO/IEC 24734 and ISO/IEC 24735 respectively (ESAT). For more information see: www.lexmark.com/ISOspeeds.



Standard
 Optional

P/N Toner Cartridges

24B6015 Toner Cartridge
24B6025 Imaging Unit

P/N Paper Handling

40G0801 250-Sheet Tray Insert
40G0803 550-Sheet Tray Insert
40G0802 550-Sheet Tray
40G0804 2100-Sheet Tray
40G0800 250-Sheet Tray
40G0820 250-Sheet Lockable Tray
40G0822 550-Sheet Lockable Tray
40G0854 4.3 in. (11 cm) Spacer

P/N Furniture

40C2300 Adjustable Stand
40G0855 Caster Base
3073173 Swivel Cabinet

P/N Memory Options

27X0200 500 GB Hard Disk
57X9016 1024MBx32 DDR3-DRAM
57X9012 2048MBx32 DDR3-DRAM
57X9101 256MB Flash Memory Card
57X9110 Traditional Chinese Font Card
57X9112 Simplified Chinese Font Card
57X9114 Korean Font Card
57X9115 Japanese Font Card
57X0070 Removable Hard Disk Enclosure Kit

P/N Application Solutions

57X0300 Contact Authentication Device
57X0301 Contactless Authentication Device
57X0310 Contact Authentication Device with Software
24T7352 Card for IPDS
24T7351 Forms and Bar Code Card
24T7353 Card for PRESCRIBE Emulation

P/N Connectivity

27X0142 Lexmark MarkNet™ N8230 Fiber Ethernet Print Server
1021231 Parallel Cable (10-foot)

P/N Connectivity

1021294 USB Cable (2-meter)
14F0100 RS-232C Serial Interface Card
14F0000 Parallel 1284-B Interface Card
27X0225 MarkNet N8350 802.11b/g/n Wireless Print Server
27X0310 MarkNet N8350 Wireless Print Server plus NFC
SPD0001 Surge Protective Device, 110-120V

P/N User Replaceable Parts

40X8420 Return Program Fuser Maintenance kit, 110-120V Type 00, Letter
40X8424 Return Program Fuser Maintenance kit, 220-240V Type 04, Letter
40X7706 Roller Maintenance Kit
40X8431 ADF Maintenance Kit
40X7743 Return Program Fuser, 110-120V Type 00, Letter
40X7734 Return Program Fuser, 220-240V Type 04, Letter
40X8425 Fuser Maintenance kit, 110-120V, Type 05, Letter
40X8429 Fuser Maintenance kit, 220-240V, Type 09, Letter
40X8016 Fuser, 110-120V Type 05, Letter
40X8020 Fuser, 220-240V, Type 09, Letter
40X7582 Transfer Roller
40X7593 Media Pick Roller
40X7713 Separation Roller

P/N Service Parts

40X7749 ADF feed belt
40X7774 ADF pick roller
40X7775 ADF separator roller
40X7600 Multipurpose feeder pick roller